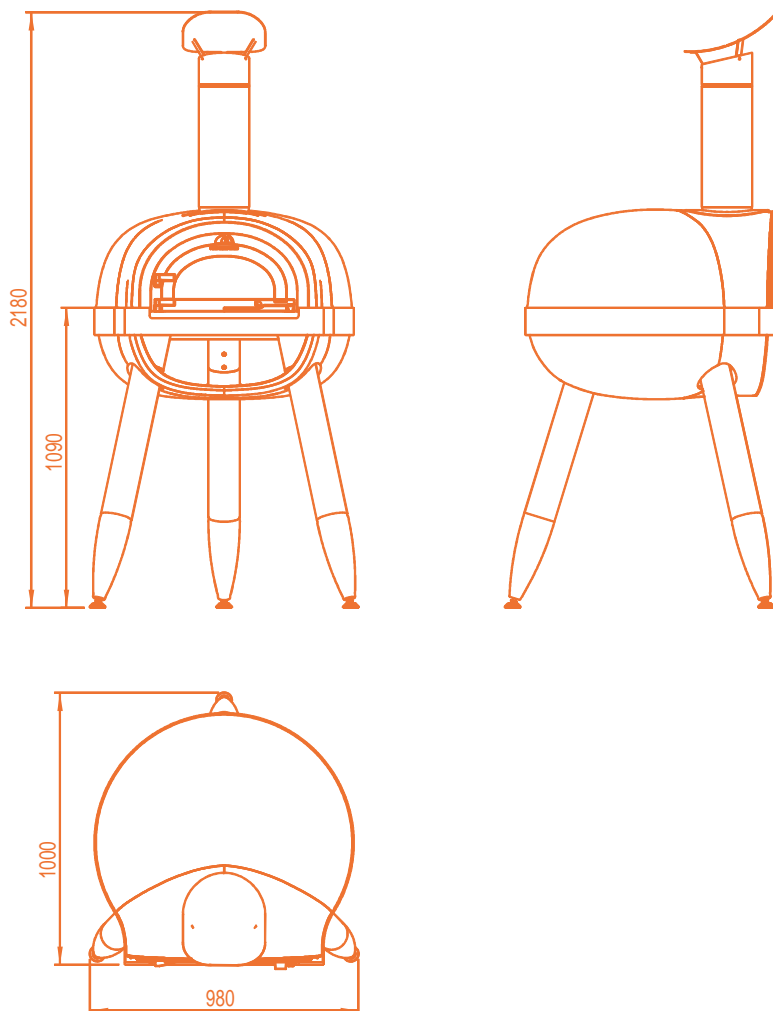


## Dimensions :



## Power used :

Example with beech ( 20% humidity )

Pre firing 45min : 3,36 kg wood or 0.008 m<sup>3</sup> = 13 kW

Cooking with the door opened : 2,3 kg wood/h or 0.005 m<sup>3</sup>/h = 9 kW/h

Radiation going through the walls with the advised insulation : 0,4 kW/h

Radiation power (through the door) : 1,9 kW/h

Average fresh air consumption : 132 m<sup>3</sup>/h at 20 °C

Minimal smoke pipe : Height 0.5 m , section : 190 cm<sup>2</sup> / Ø155 mm

Flue connector in conformity with standard EN1856-2

## Smoke temperature :

with the opened door : 175°C

## Maximum temperature for the cooking :

400°C