

Model :

Brick vault : 950B
Chamotte vault : 950C

Materials :

Refractory concrete + floor stones
refractory concrete
Alumina-fortified cement with metal fibres

Parts :

Floor : 2 parts
Vault : 2 parts
Arch

Characteristics :

Cooking chamber : 0,7 m²
Weight : 420 kg

Power used :

example with beech (20% humidity)

Pre firing 2h : 13.5 kg wood or 0.032 m³ = 54 kW
Cooking with the door opened : 3,4 kg wood/h or 0.008 m³/h = 13.5 kW/h

Power going through the walls with the advised insulation : 0,8 kW/h
Radiation power (through the door) : 1,9 kW/h

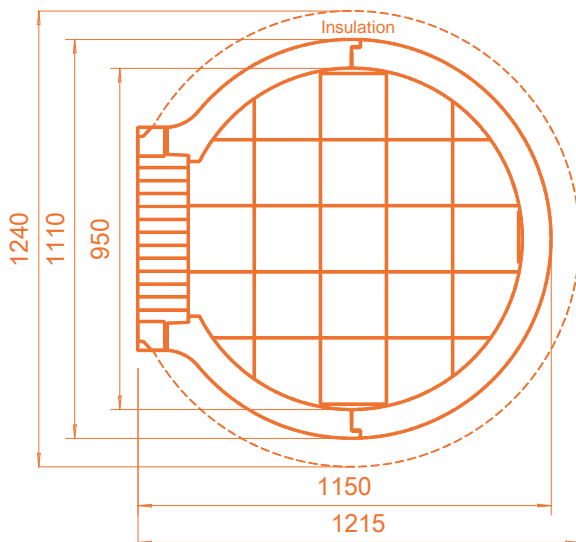
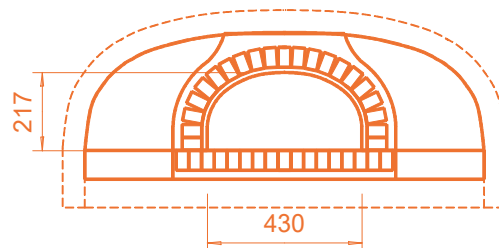
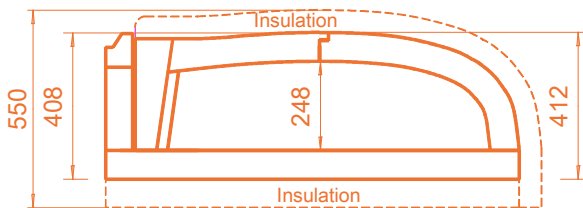
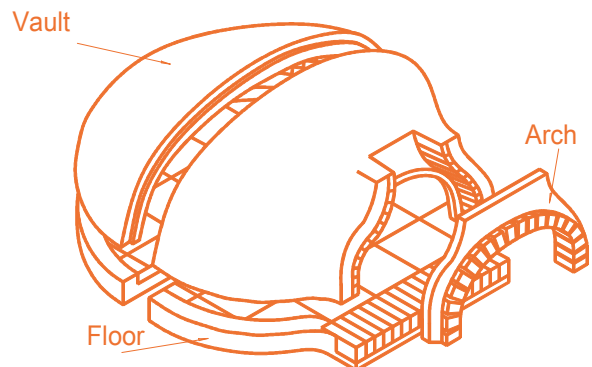
Average fresh air consumption : 215 m³/h at 20 °C
Minimal smoke pipe : height: 3 m , Part : 190 cm² / Ø155 mm
Flue connector in conformity with standard 1856-2

Smoke temperature :

for oven stoves : 175°C

Maximum temperature for the cooking :

500°C



Equipment :

Included in the version "with equipment" :

- Complete insulation
- Cast iron door AC6
- Refractory insulating door AC1R
- Vault thermometer AC20
- Flue connector

Option :

- Hood AC104 + hat
- Ash bin AC2

