

# Technical datas F1030SC

# THE GRAND FLAMME

## Model :

Chamotte vault

## Materials :

Refractory concrete  
Alumina-fortified cement with metal fibres

## Parts :

Floor : thickness of walls 60 : 2 parts  
Vault : thickness of walls 40 : 3 parts  
Brick Arch

## Caracteristics :

Cooking chamber : 0,83 m<sup>2</sup>  
Weight : 277 kg

## Power used :

example with beech ( 20% humidity )

Pre firing 2h : 13.5 kg wood or 0.032 m<sup>3</sup> = 54 kW  
Cooking with the door opened : 3,4 kg wood/h or 0.008 m<sup>3</sup>/h = 13.5 kW/h

Power going through the walls with the advised insulation : 0,8 kW/h  
Radiation power (through the door ) : 1,9 kW/h

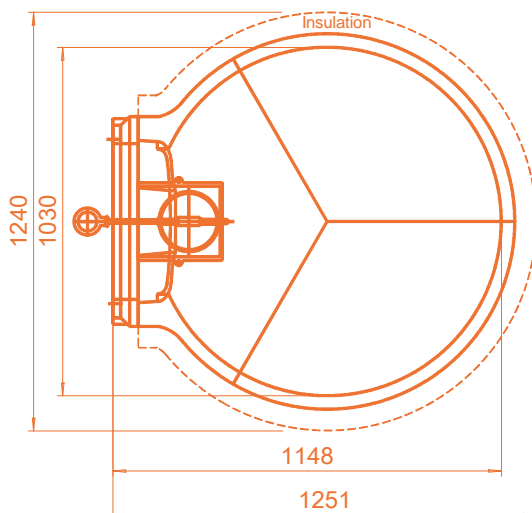
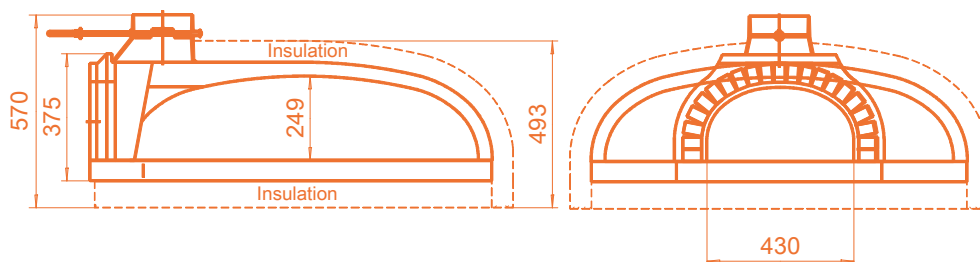
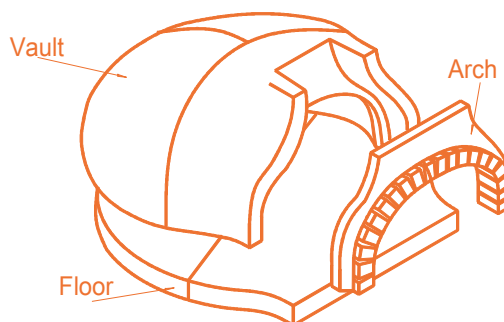
Average fresh air consumption : 215 m<sup>3</sup>/h at 20 °C  
Minimal smoke pipe : height : 3 m , Part : 190 cm<sup>2</sup> / Ø155 mm  
Flue connector in conformity with standard EN1856-2

## Smoke temperature :

For oven stoves: 175°C

## Maximum temperature for the cooking :

500°C



## Equipment :

Included in the version "with equipment"

- complete insulation
- Cast iron door AC6
- Refractory insulating door AC1R
- Flue connector

Option :

- Steel table
- stainless steel decoration
- Hood AC110
- Exhaust pipe with insulating wool



**FOUR GRAND-MÈRE**  
— Le temps du bon ! —